

## **Features**

- 190 narrow stile has 2-1/8" vertical stile, 2-1/4" top and 3-7/8" bottom rail
- 350 medium stile has 3-1/2" vertical stile, 3-1/2" top and 6-1/2" bottom rail
- 500 wide stile has 5" vertical stile, 5" top and 6-1/2" bottom rail
- Door is 1-3/4" deep
- Dual moment welded corner construction
- Single or double acting
- Offset pivots, butt hinges, continuous geared hinge or center pivots
- Surface mounted or concealed closers
- MS locks or panic hardware
- Architects Classic push/pulls
- Infills range from 1/4" to 1"
- Adjustable astragal utilizing pile weathering with polymeric fin at meeting stiles
- Sealair® bulb polymeric weatherstripping in door frames
- Permanodic® anodized finishes in 7 choices
- Painted finishes in standard and custom choices

## **Optional Features**

- Numerous push/pull finishes
- Paneline® exit device, Paneline® EL exit device, Panic Guard® security astragal or Paneline®/Panic Guard®
- Wide variety of bottom rail, cross rail and muntins

## **Product Applications**

- 190 narrow stile - engineered for moderate traffic in applications such as offices, stores and apartment buildings
- 350 medium stile - provides extra strength for schools, institutions and other high traffic applications
- 500 wide stile - creates a monumental visual statement for banks, libraries or buildings that experience heavy traffic conditions

For specific product applications,  
Consult your Kawneer representative.

Laws and building and safety codes governing the design and use of glazed entrance, window, and curtain wall products vary widely. Kawneer does not control the selection of product configurations, operating hardware, or glazing materials, and assumes no responsibility therefor.

Kawneer reserves the right to change configuration without prior notice when deemed necessary for product improvement.

© Kawneer Company, Inc., 2008

**PICTORIAL VIEW ..... 5**

**DOOR TYPES/SECT. DIMENSIONS ..... 6**

**CONSTRUCTION DETAILS..... 7,8**

**STOCK ENTRANCE PACKAGES ..... 9**

**ENTRANCE OFFERINGS.....10, 11**

**APPLICATION CRITERIA ..... 11**

**PUSH PULL HARDWARE ..... 12**

**PANELINE EXIT DEVICE ..... 13**

**AUTO SHOWROOM DOOR.....14, 15**

**INTERMEDIATE RAILS ..... 16**

**INFILL OPTIONS ..... 16**

**ACCESSORIES ..... 16**

**HANDICAP ACCESSIBLE ITEMS..... 17**

**PANIC GUARD EXIT DEVICE ..... 18**

**PANELINE/PANIC GUARD EXIT DEVICE ..... 19**

LAWS AND BUILDING AND SAFETY CODES GOVERNING THE DESIGN AND USE OF GLAZED ENTRANCE, WINDOW, AND CURTAIN WALL PRODUCTS VARY WIDELY. KAWNEER DOES NOT CONTROL THE SELECTION OF PRODUCT CONFIGURATIONS, OPERATING HARDWARE, OR GLAZING MATERIALS, AND ASSUMES NO RESPONSIBILITY THEREFOR.

Metric (SI) conversion figures are included throughout these details for reference. Numbers in parentheses ( ) are millimeters unless otherwise noted.

The following metric (SI) units are found in these details:

- m – meter
- cm – centimeter
- mm – millimeter
- s – second
- Pa – pascal
- MPa – megapascal

Kawneer reserves the right to change configurations without prior notice when deemed necessary for product improvement.

Laws and building and safety codes governing the design and use of glazed entrance, window, and curtain wall products vary widely. Kawneer does not control the selection of product configurations, operating hardware, or glazing materials, and assumes no responsibility therefor.

Kawneer reserves the right to change configuration without prior notice when deemed necessary for product improvement.  
© Kawneer Company, Inc., 2008

Laws and building and safety codes governing the design and use of glazed entrance, window, and curtain wall products vary widely. Kawneer does not control the selection of product configurations, operating hardware, or glazing materials, and assumes no responsibility therefor.

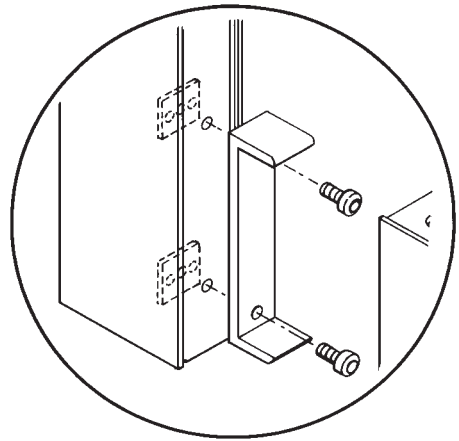
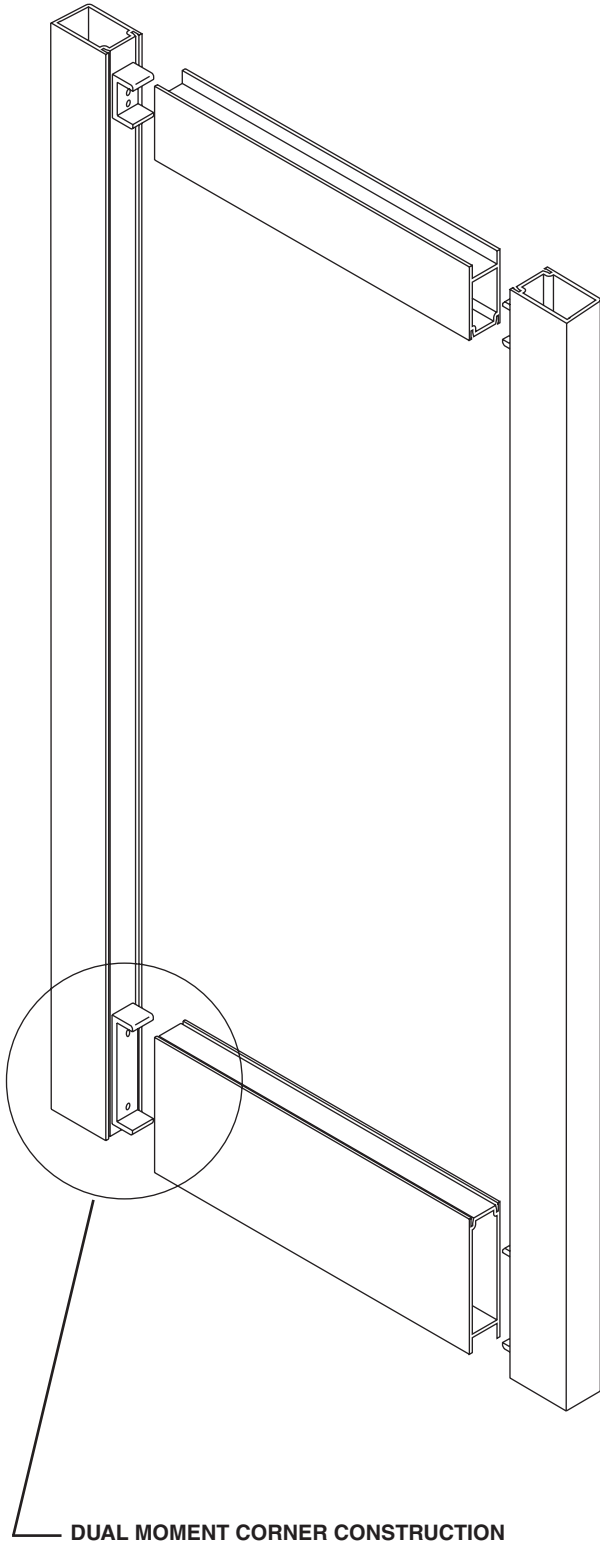
Kawneer reserves the right to change configuration without prior notice when deemed necessary for product improvement.

© Kawneer Company, Inc., 2008

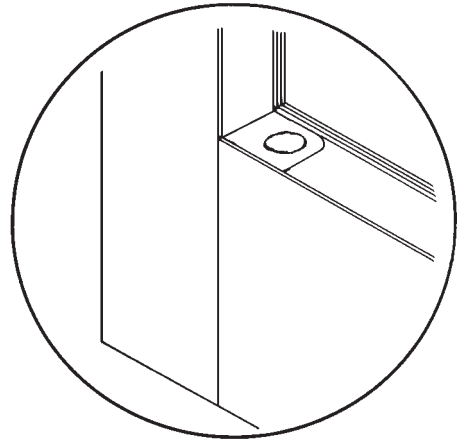
Laws and building and safety codes governing the design and use of glazed entrance, window, and curtain wall products vary widely. Kawneer does not control the selection of product configurations, operating hardware, or glazing materials, and assumes no responsibility therefor.

Kawneer reserves the right to change configuration without prior notice when deemed necessary for product improvement.

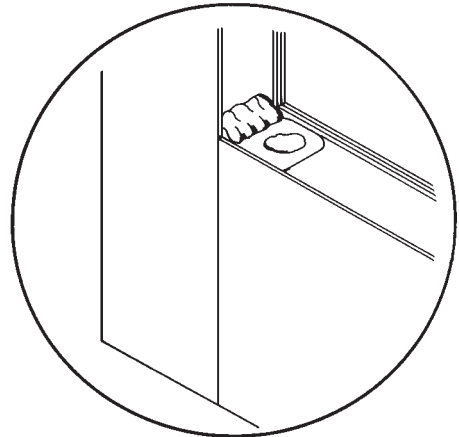
© Kawneer Company, Inc., 2008



**#1 MECHANICAL FASTENING** is accomplished by attaching a 5/16" (7.9) thick extruded aluminum channel clip to the vertical stile with 1/4"-20 heat strengthened bolts and 3/16" thick steel nut plates for a high strength welding base for attachment horizontal member.



**#2 SIGMA\* DEEP PENETRATION PLUG WELDS** are made top and bottom after the horizontal is properly positioned over the channel clip to help provide the strongest door corner joint currently available.



**#3 SIGMA\* FILLET WELDS** along both top and bottom webs of the rail extrusion complete the Dual Moment corner construction.

\* An arc welding process known as Shielded Inert Gas Metal Arc (SIGMA) or also known as Metal Inert Gas (MIG).

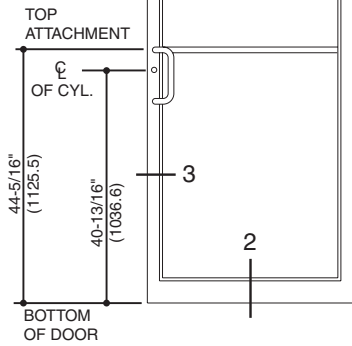
SCALE 3" = 1' 0"

190 NARROW STILE

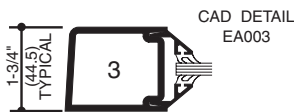
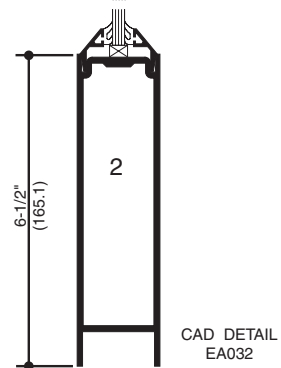
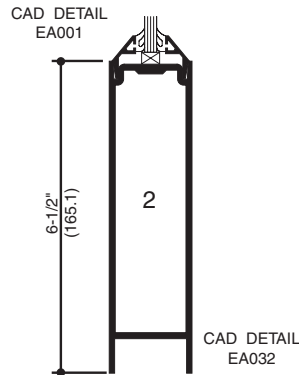
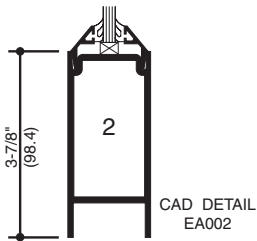
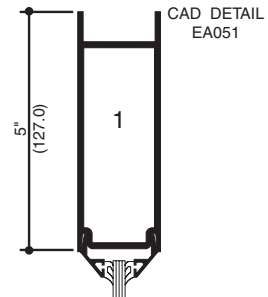
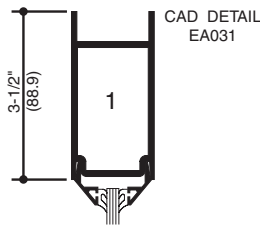
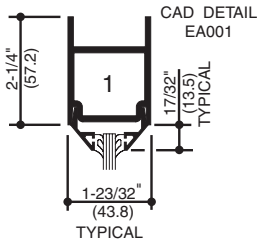
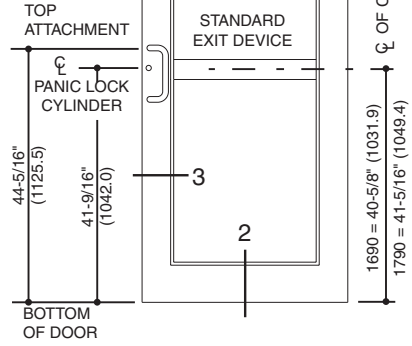
350 MEDIUM STILE

500 WIDE STILE

STANDARD LOCATIONS



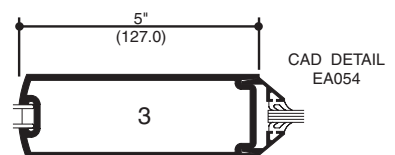
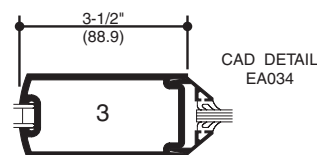
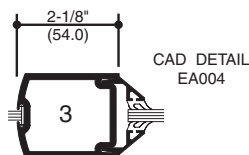
STANDARD LOCATIONS



SINGLE ACTING

SINGLE ACTING

SINGLE ACTING



DOUBLE ACTING

DOUBLE ACTING

DOUBLE ACTING

Laws and building and safety codes governing the design and use of glazed entrance, window, and curtain wall products vary widely. Kawneer does not control the selection of product configurations, operating hardware, or glazing materials, and assumes no responsibility therefor.

Kawneer reserves the right to change configuration without prior notice when deemed necessary for product improvement.

© Kawneer Company, Inc., 2008

SCALE 3" = 1' 0"

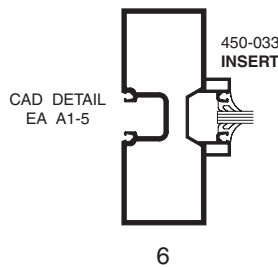
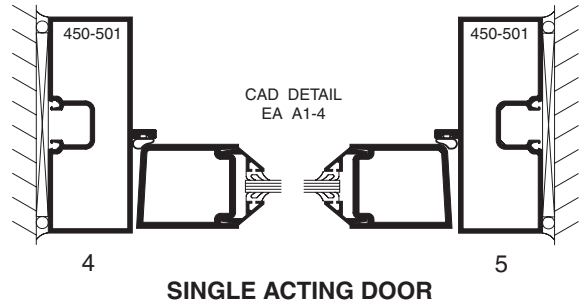
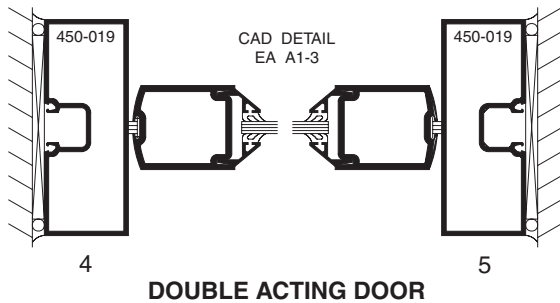
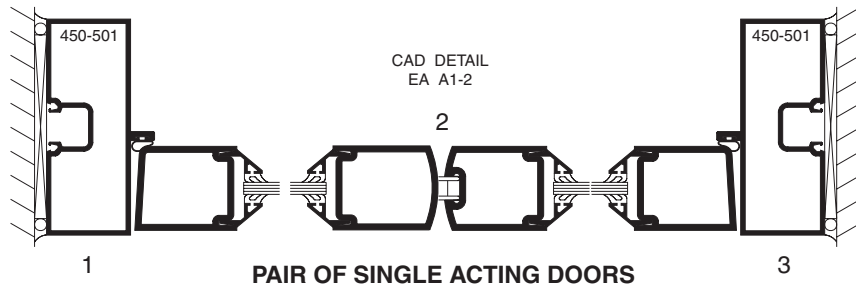
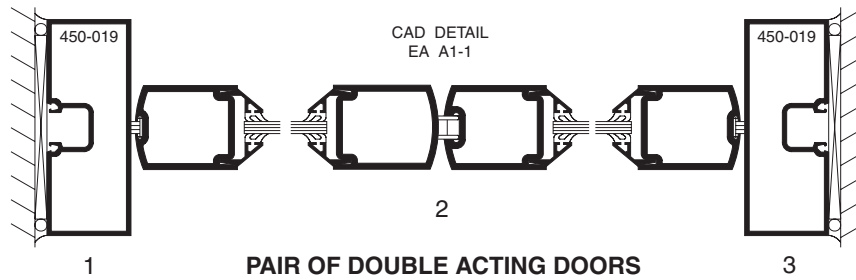
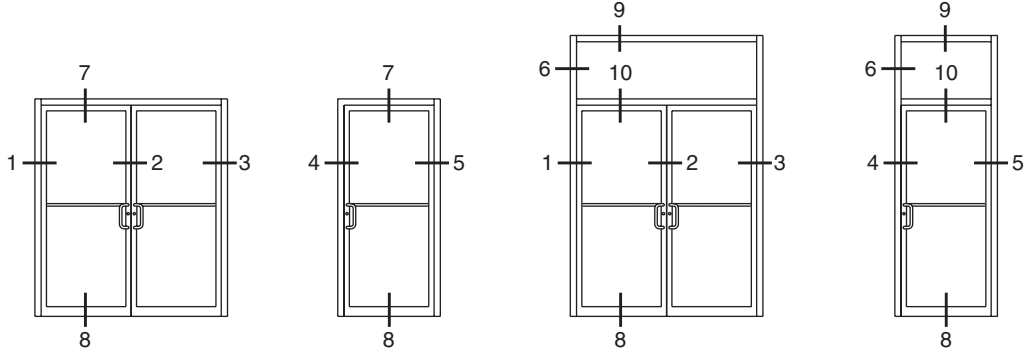
NOTE:

- 1. SERIES 190 NARROW STILE DOORS ARE DETAILED, MEDIUM STILE 350 DOORS AND WIDE STILE 500 DOORS ALSO MAY BE USED.
- 2. TRIFAB® VG 450 CENTER, 1-3/4" X 4-1/2" (44.5 X 114.3) FRAMING IS DETAILED WITH THE DOORS FOR REFERENCE. OTHER KAWNEER FRAMING SERIES OR CURTAIN WALL SYSTEMS MAY BE USED. REFER TO THE CATALOG INDEX FOR THE APPROPRIATE DETAIL SECTION.

Laws and building and safety codes governing the design and use of glazed entrance, window, and curtain wall products vary widely. Kawneer does not control the selection of product configurations, operating hardware, or glazing materials, and assumes no responsibility therefor.

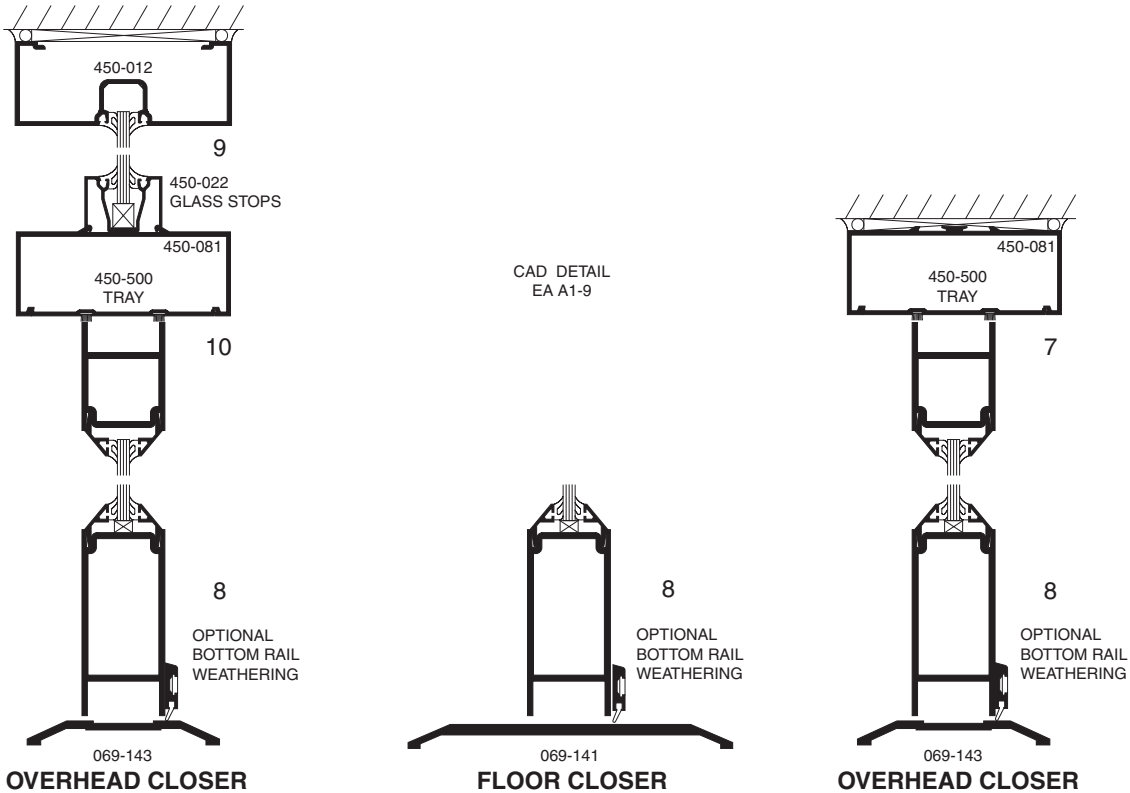
Kawneer reserves the right to change configuration without prior notice when deemed necessary for product improvement.

© Kawneer Company, Inc., 2008



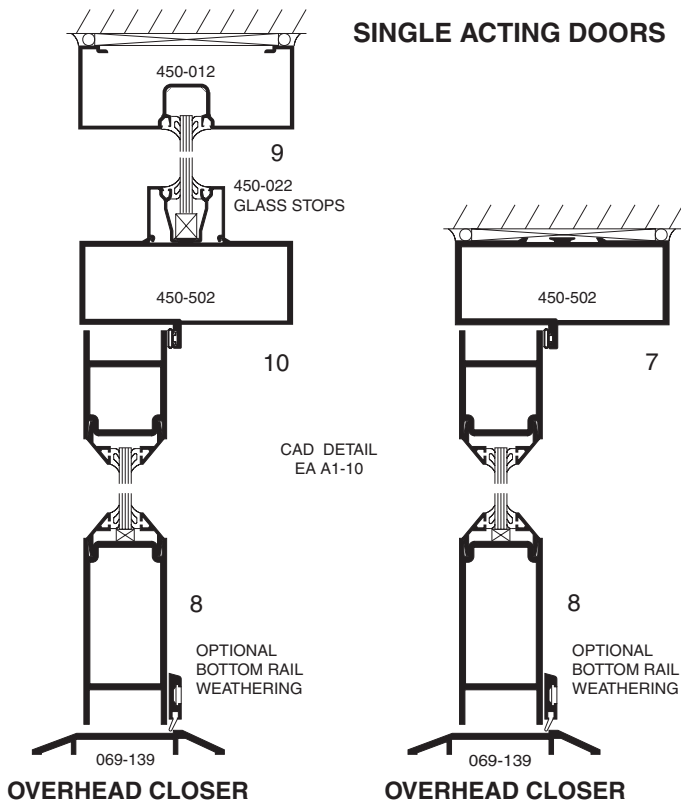
SCALE 3" = 1' 0"

## DOUBLE ACTING DOORS

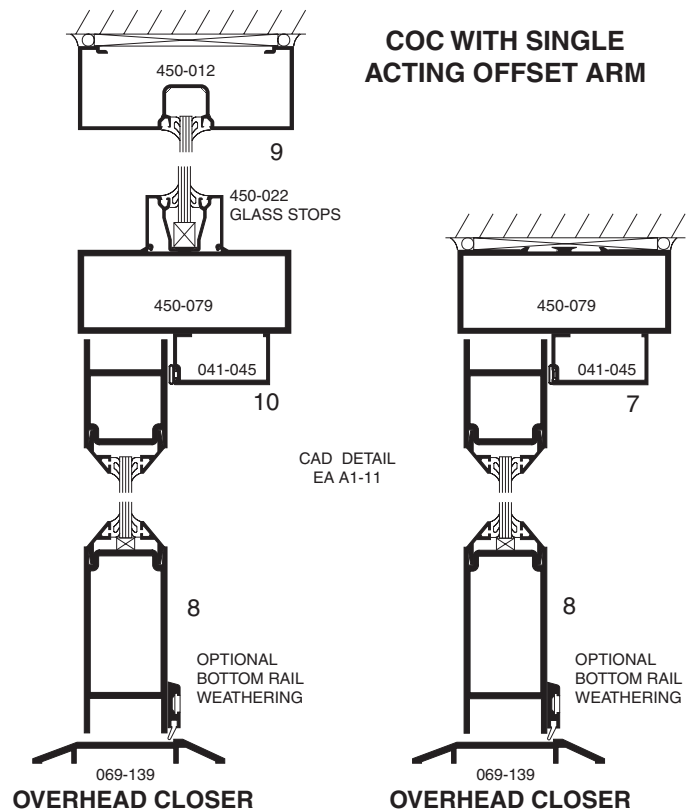


Laws and building and safety codes governing the design and use of glazed entrance, window, and curtain wall products vary widely. Kawneer does not control the selection of product configurations, operating hardware, or glazing materials, and assumes no responsibility therefor.

## SINGLE ACTING DOORS



## COC WITH SINGLE ACTING OFFSET ARM



Kawneer reserves the right to change configuration without prior notice when deemed necessary for product improvement.

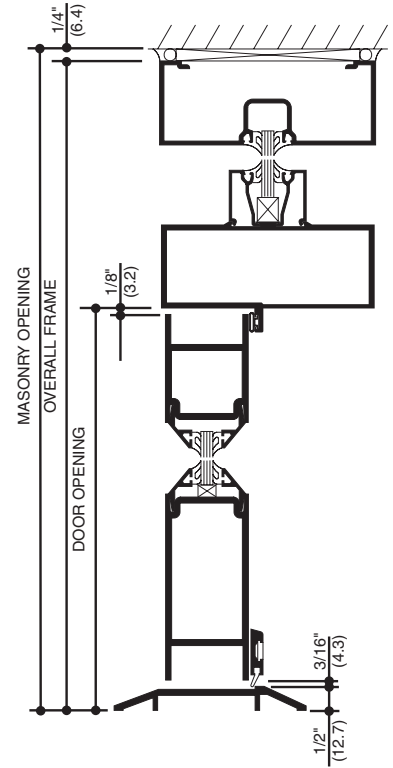
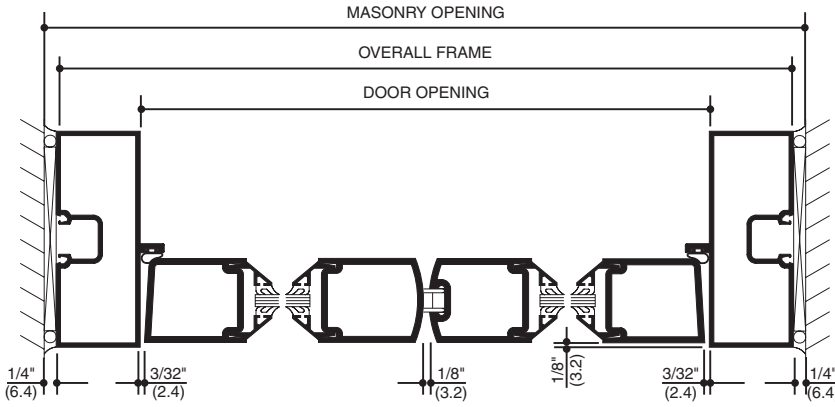
© Kawneer Company, Inc., 2008

SCALE 3" = 1' 0"

DIMENSIONS ARE NOMINAL

Laws and building and safety codes governing the design and use of glazed entrance, window, and curtain wall products vary widely. Kawneer does not control the selection of product configurations, operating hardware, or glazing materials, and assumes no responsibility therefor.

Kawneer reserves the right to change configuration without prior notice when deemed necessary for product improvement.  
© Kawneer Company, Inc., 2008



**STOCK SIZES (TRIFAB® 400 & TRIFAB® VG 450 CENTER FRAMES)**

**WITHOUT TRANSOM**

**Door Opening Dimension**  
 3'-0" x 7'-0" ( 914 x 2134)  
 3'-6" x 7'-0" (1067 x 2134)  
 6'-0" x 7'-0" (1829 x 2134)

**Overall Frame Dimension**  
 3'-3 1/2" x 7'-1 3/4" (1003 x 2178)  
 3'-9 1/2" x 7'-1 3/4" (1156 x 2178)  
 6'-3 1/2" x 7'-1 3/4" (1918 x 2178)

**Masonry Opening Dimension**  
 3'-4" x 7'-2" (1016 x 2185)  
 3'-10" x 7'-2" (1168 x 2185)  
 6'-4" x 7'-2" (1930 x 2185)

**WITH TRANSOM**

**Door Opening Dimension**  
 Unchanged from above.

**Overall Frame Dimension**  
 Add 3'-1 3/4" (959) to above heights.

**Masonry Opening Dimension**  
 Add 3'-1 3/4" (959) to above heights.

**STOCK SIZES (TRIFAB® VG 451 CENTER FRAMES)**

**WITHOUT TRANSOM**

**Door Opening Dimension**  
 3'-0" x 7'-0" ( 914 x 2134)  
 3'-6" x 7'-0" (1067 x 2134)  
 6'-0" x 7'-0" (1829 x 2134)

**Overall Frame Dimension**  
 3'-4" x 7'-2" (1016 x 2185)  
 3'-10" x 7'-2" (1168 x 2185)  
 6'-4" x 7'-2" (1930 x 2185)

**Masonry Opening Dimension**  
 3'-4 1/2" x 7'-2 1/4" (1029 x 2191)  
 3'-10 1/2" x 7'-2 1/4" (1181 x 2191)  
 6'-4 1/2" x 7'-2 1/4" (1943 x 2191)

**WITH TRANSOM**

**Door Opening Dimension**  
 Unchanged from above.

**Overall Frame Dimension**  
 Add 3'-1 1/2" (953) to above heights.

**Masonry Opening Dimension**  
 Add 3'-1 1/2" (953) to above heights.

	STANDARD	OPTIONAL
<b>Doors</b>	Narrow stile 190 doors prepared for attachment hardware.	Medium stile 350 or wide stile 500.
<b>Door Sizes</b>	Stock sizes shown on page 9.	Any size up to 4'-0" x 8'-0" (1219 x 2438).
<b>Glass Stops</b>	Beveled glass stops for 1/4" (6.4) or 3/16" (4.0) infill.	Square glass stops for 3/16" (4.0) or 1/4" (6.4) infill. Also 1" (25.4) stops.
<b>Door Frames</b>	<b>Trifab® 400</b> - 1-3/4" x 4" (44.5 x 101.6) for single glazing. <b>Trifab® VG 450</b> Center - 1-3/4" x 4-1/2" (44.5 x 114.3) for single glazing or <b>Trifab® VG 451</b> Center - 2" x 4-1/2" (50.8 x 114.3) for double glazing.	Any Kawneer framing system suitable for door frames may be selected, but manufactured per order.
<b>Push-Pulls</b>	<b>Single Acting:</b> - Architects Classic Hardware "CO-9" Pull and "CP-II" Push Bar. - Architects Classic Hardware "CO-9" Pull and "CP" Push Bar.  <b>Double Acting:</b> - Architects Classic Hardware "CP" Push Bars.	<b>Single Acting:</b> - Architects Classic Hardware "CO-12" and "CP-II" push bar. - Architects Classic Hardware "CO-12" and "CP" push bar. - Architects Classic Hardware "CO-9"/"CO-9" Pulls. - Architects Classic Hardware "CO-12"/"CO-12" Pulls.  <b>Double Acting:</b> - Architects Classic Hardware "CO-9"/"CO-9" Pulls. - Architects Classic Hardware "CO-12"/"CO-12" Pulls.
<b>Door Closers</b>	<b>Single Acting:</b> - Norton 1601 adjustable or 1601 BF adjustable surface closer with back-check and with or without adjustable hold-open. - Standard concealed overhead closer with single acting offset arm.  <b>Double Acting:</b> Standard concealed overhead closer with 90 degree or 105 degree hold-open or without hold open. For heavy traffic & high wind applications, a supplemental door stop is recommended.	<b>Single Acting:</b> - LCN 4040 surface closer with or without adjustable hold-open. - LCN 2010, 2030 or 5010 concealed overhead closers with or without hold-open. - LCN 1260 adjustable surface closer. - Norton 8100 surface closer with a 50% spring power adjustment (for opening forces of less than 8 pounds). Closer is available with standard back-checks and with or without the hold-open feature. - International single acting concealed overhead closer. - DOM/Falcon SC 60 Surface closer.  <b>Double Acting:</b> International overhead concealed closer.
<b>Pivots / Butts</b>	<b>Single Acting:</b> Kawneer top and bottom offset pivots (or) Kawneer top and bottom 4 1/2" x 4" (114.3 x 101.6) ball bearing butt hinge with non-removable pin (NRP).  <b>Double Acting:</b> Kawneer bottom center pivots for use with concealed overhead closer.	<b>Double Acting:</b> Kawneer top center (walking beam) pivot for use with floor closers.
<b>Intermediate Pivots/Butts</b>	<b>Single Acting:</b> Kawneer intermediate offset pivot (or) Kawneer 4-1/2" x 4" (114.3 x 101.6) ball bearing butt hinge with non-removable pin (NRP).	<b>Single Acting:</b> Rixson M-19 or IVES #7215-INT intermediate offset pivot.
<b>Power Transfers</b>	<b>Single Acting:</b> Kawneer EL intermediate offset pivot (or) Kawneer EL 4 1/2" x 4" (114.3 x 101.6) ball bearing butt hinge with wire transfer or EPT (Electric Power Transfer).	
<b>Power Supply</b>	<b>SP 1000 Power Supply:</b> For use with EL exit devices.	
<b>Locks - Active Leaf</b>	Adams-Rite MS 1850A deadlock with two 1-5/32" (29.4) diameter 5 pin cylinders.	Adams-Rite #4510 latch lock. Adams-Rite #1850A-500 short throw deadlock. Adams-Rite #1850A-505 hookbolt lock. Adams-Rite #4015 two-point Lock. Adams-Rite #4085 three-point Lock. Adams-Rite #4089 exit indicator. Kawneer cylinder guard. Kawneer thumbturn (in lieu of cylinder).

Laws and building and safety codes governing the design and use of glazed entrance, window, and curtain wall products vary widely. Kawneer does not control the selection of product configurations, operating hardware, or glazing materials, and assumes no responsibility therefor.

Kawneer reserves the right to change configuration without prior notice when deemed necessary for product improvement.  
© Kawneer Company, Inc., 2008

Laws and building and safety codes governing the design and use of glazed entrance, window, and curtain wall products vary widely. Kawneer does not control the selection of product configurations, operating hardware, or glazing materials, and assumes no responsibility therefor.

Kawneer reserves the right to change configuration without prior notice when deemed necessary for product improvement.  
© Kawneer Company, Inc., 2008

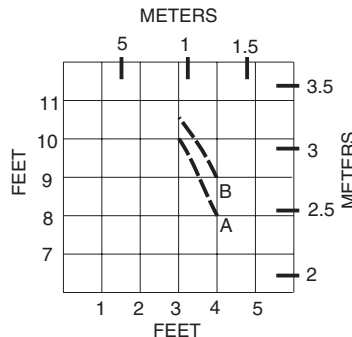
	STANDARD	OPTIONAL
<b>Locks - Inactive Leaf</b>	One pair of Kawneer flush bolts in the inactive leaf of a pair of doors.	<b>Controller®</b> is a 3-point locking system consisting of a two point locking device in the inactive leaf in lieu of flush bolts, working in conjunction with the MS 1850A deadlock in the active leaf. This combination provides for greater security than possible with flush bolts and complies with the life safety considerations of building codes which prohibit the use of flush bolts.
<b>Thresholds</b>	A 1/2" x 4" (12.7 x 101.6) aluminum mill finish threshold.	A 1/2" x 6-3/4" (12.7 x 171.5) aluminum mill finish threshold.
<b>Weathering</b>	<b>Single Acting:</b> SEALAIR® weathering system in the door and frame consisting of a dense, bulb polymeric material, which remains resilient and retains its weathering ability under temperature extremes. (The system is complete with an optional EPDM blade gasket sweep strip applied to the bottom door rail with concealed fasteners).  <b>Double Acting:</b> Pile cloth weathering in the door and frame.	Bottom Door Sweep
<b>Exit Device</b>	<b>Dor-O-Matic/Falcon 1690</b> is a concealed rod exit device with or without a rim type cylinder.  <b>Dor-O-Matic/Falcon 1790</b> is a rim type exit device with or without a rim type cylinder. Pairs of doors require Dor-O-Matic/Falcon No. RM-170 removable aluminum mullion.  <b>Exit Device Pulls:</b> Architects Classic "CO-9" pull handle with Dor-O-Matic/Falcon 1690 and 1790 exit devices. Kawneer "CPN" pull handle with Paneline exit device. The overall height of the pull matches the height of the Paneline cross rail.	<b>Dor-O-Matic/Falcon EL 1690</b> electric modification is also available. <b>Dor-O-Matic/Falcon EL 1790</b> electric modification is also available <b>1686 Concealed Rod Exit Device</b> with or without a mortised type cylinder. <b>Paneline®</b> exit device is a concealed rod exit device applicable to single or pairs of doors. It features an activating panel contained within the door cross rail. <b>Paneline® EL</b> electric modification is also available. <b>Panic Guard®</b> is a concealed rod exit device. It features a continuous, retractable astragal which closes the gap between a pair of doors. Includes a cylinder guard standard. <b>Panic Guard® with Paneline®</b> Integral push panel concealed rod exit device used in conjunction with the continuous, retractable Panic Guard astragal. Includes a cylinder guard standard. <b>Dor-O-Matic/Falcon 1490 and 1990</b> are concealed rod exit devices with or without a rim type cylinder. <b>Dor-O-Matic/Falcon 1590 and 2090</b> are rim type exit devices with or without a rim type cylinder. Pairs of doors require a removable aluminum mullion. Mullion RM-150 with the DOM/Falcon 1590 exit device and RM-70 with the DOM/Falcon 2090 exit device.  <b>Optional Exit Device Pulls:</b> Kawneer Architects Classic "CO-12" pull handle with Dor-O-Matic/Falcon 1690 and 1790 exit devices.

**APPLICATION CRITERIA**

As indicated on Page 9, the standard sizes of swing doors are 3'-0" x 7'-0" (914.4 x 2133.6) or 3'-6" x 7'-0" (1067 x 2134) for single doors and 6'-0" x 7'-0" (1828.8 x 2133.6) for pairs of doors. When these sizes are exceeded the following criteria should be administered.

1. Larger doors should not be subject to heavy traffic or strong prevailing wind conditions.
2. Larger doors should use a door closer with a good back check action.
3. When a door exceeds 8'-0" (2438.4) in height, a cross rail or push bar should be used to reinforce the vertical stiles.
4. When an offset hung door exceeds 7'-6" (2286.0) in height, an intermediate butt or offset pivot should be used.
5. Tall doors should be prevented from racking by proper utilization of hardware, including door closers, door holders and door stops.

**NOTE:**  
SOME OF THESE CRITERIA ARE OF A SUBJECTIVE NATURE, CONTACT YOUR FACTORY REPRESENTATIVE FOR APPLICATION ASSISTANCE.



**MAXIMUM SIZE DOOR LEAFS GLAZED WITH 1/4" (6.4) GLASS**

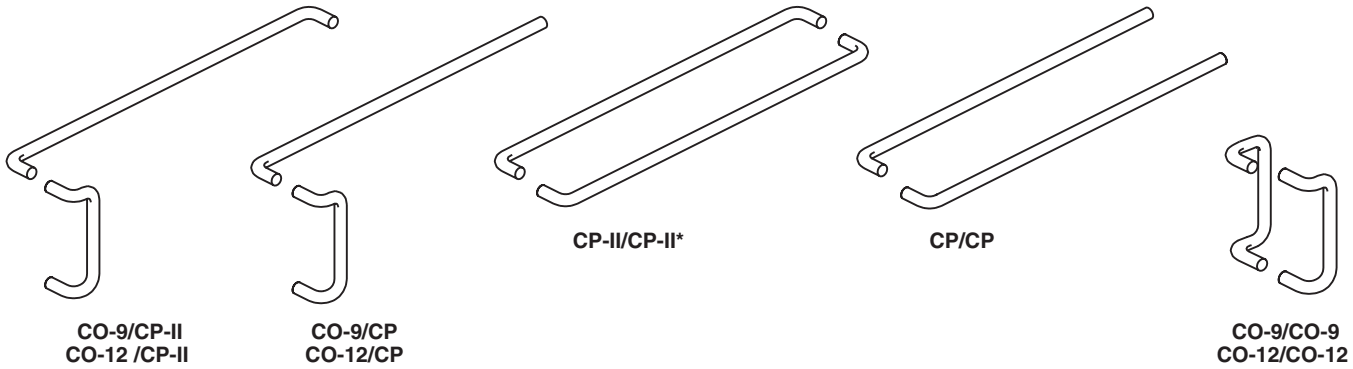
**A = NARROW STILE 190**  
**B = MEDIUM STILE 350**  
**OR**  
**WIDE STILE 500**

**MAXIMUM DOOR HEIGHT FOR PANELINE EL = 8'-0"**

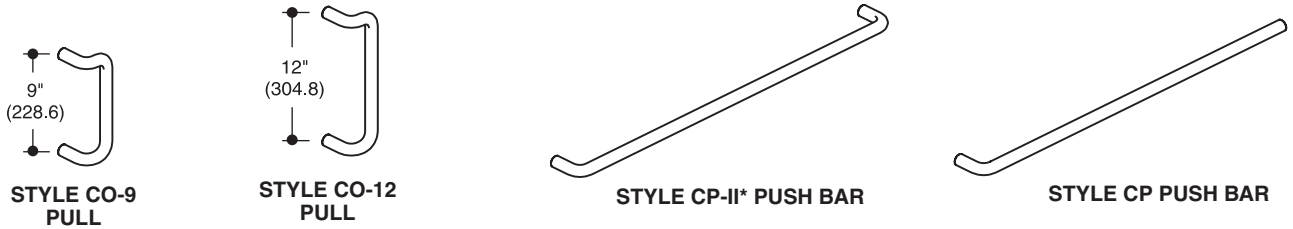
REFER TO **HARDWARE SECTION** FOR COMPLETE HARDWARE INFORMATION.

**ARCHITECTS CLASSIC (PUSH PULL SETS)**

SINGLE ACTING DOORS USE A PULL HANDLE AND PUSH BAR AS STANDARD  
 DOUBLE ACTING DOORS USE CP PUSH BARS BACK TO BACK AS STANDARD.



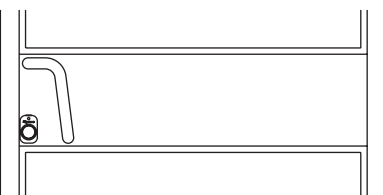
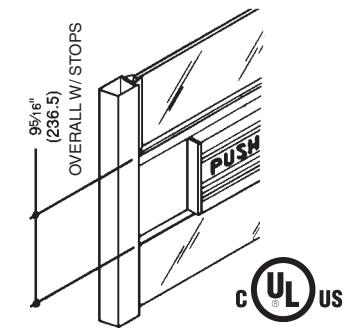
**ARCHITECTS CLASSIC (COMPONENTS)**



\* CP-II PUSH BAR IS NOT TO BE USED FOR BACK TO BACK MOUNTING ON D/A DOORS.

**EXIT DEVICES**

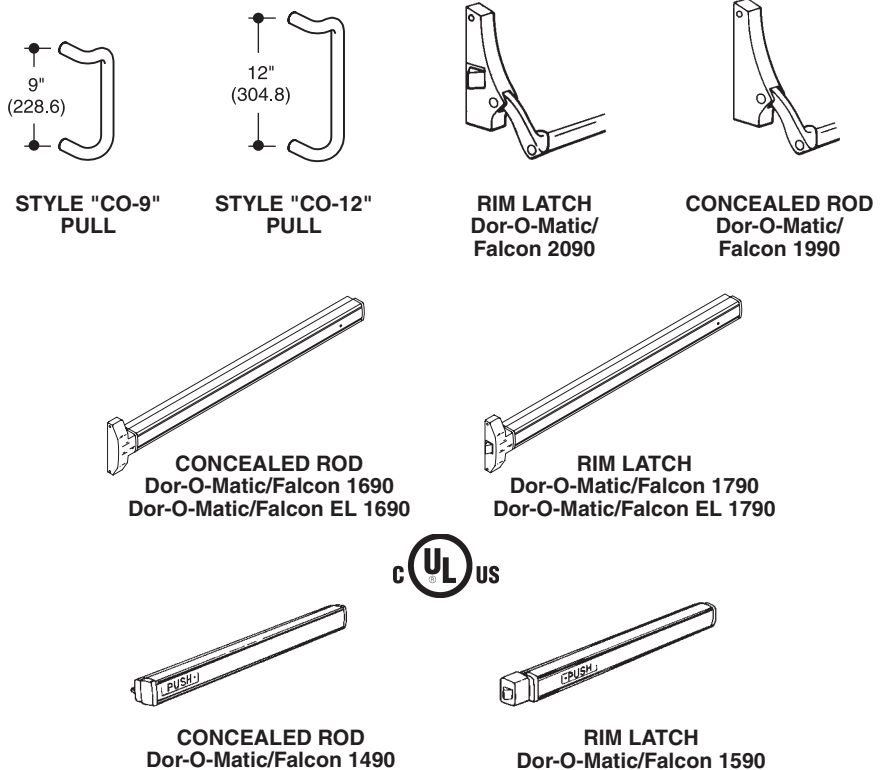
**KAWNEER PANELINE® / PANELINE® EL**



EXTERIOR VIEW OF 190 DOOR (350/500 SIMILAR)  
 "CPN" PULL AND OPTIONAL CYLINDER GUARD SHOWN.

SEE PAGE 11 FOR COMPLETE PANELINE® INFORMATION

**PANICS AND PULLS**



Laws and building and safety codes governing the design and use of glazed entrance, window, and curtain wall products vary widely. Kawneer does not control the selection of product configurations, operating hardware, or glazing materials, and assumes no responsibility therefor.

Kawneer reserves the right to change configuration without prior notice when deemed necessary for product improvement.  
 © Kawneer Company, Inc., 2008

The Paneline concealed rod exit device for 190, 350 and 500 doors will accommodate variations in stile width and door width as shown in the following illustrations. Sidelites adjacent to Paneline equipped doors not requiring exit devices may be fitted with fixed panels as detailed below to match the general appearance of the Paneline cross rail.



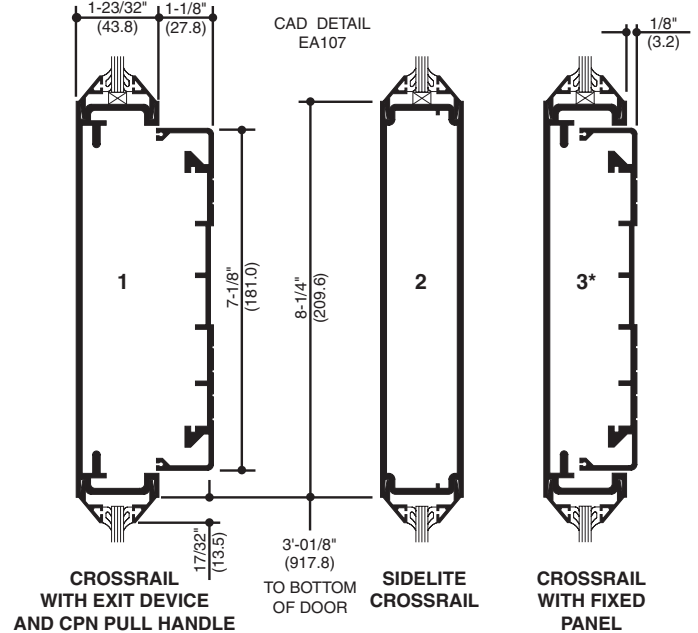
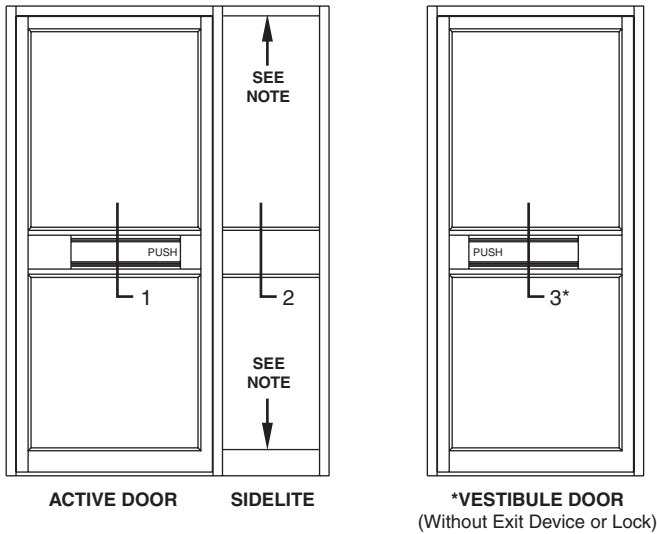
The Optional Paneline® EL device is designed for electrified access control and is compatible with most key pad and card reader systems.

See **Hardware Section** for complete description of Paneline hardware, including finish of units.

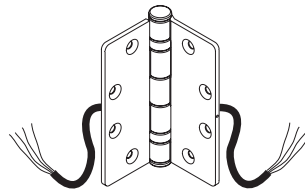
**Paneline uses mortise cylinder in lieu of the normal rim-type. Dummy Paneline units are not for use with any type of lock.**

**INTERIOR ELEVATIONS**

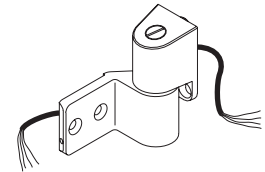
**NOTE:** Sidelites must be stop glazed above and below rail.



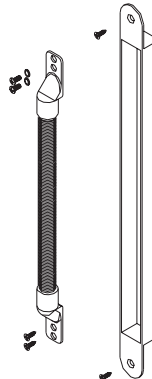
**PANELINE® EL COMPONENTS**



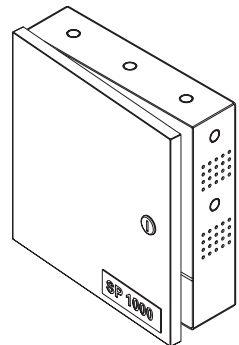
POWER TRANSFER INTERMEDIATE BUTT HINGE



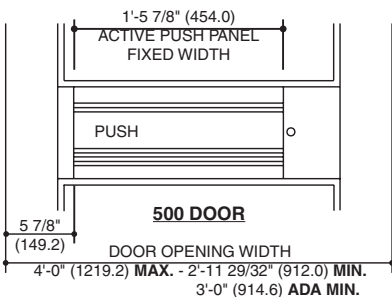
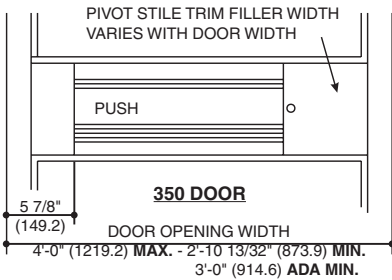
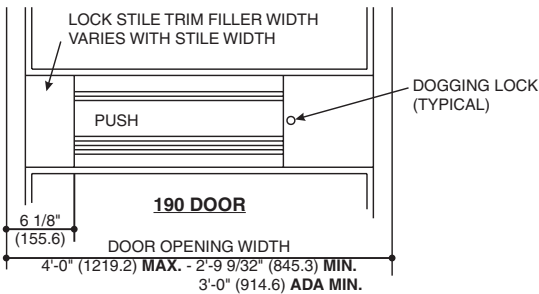
POWER TRANSFER INTERMEDIATE OFFSET PIVOT



ELECTRIC POWER TRANSFER (EPT)



SP 1000 POWER SUPPLY

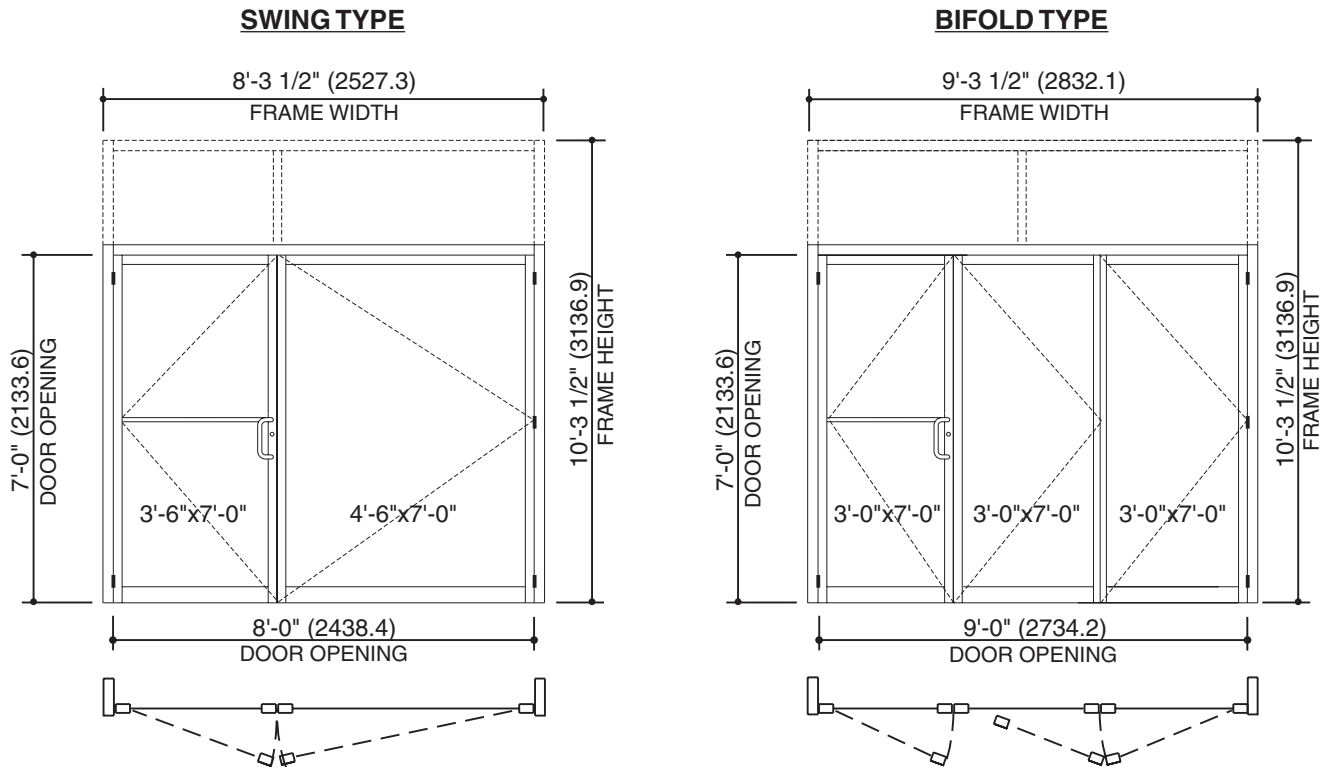


Laws and building and safety codes governing the design and use of glazed entrance, window, and curtain wall products vary widely. Kawneer does not control the selection of product configurations, operating hardware, or glazing materials, and assumes no responsibility therefor.

Kawneer reserves the right to change configuration without prior notice when deemed necessary for product improvement.  
© Kawneer Company, Inc., 2008

SCALE 3" = 1'-0"

NOTE: DOUBLE GLAZING NOT RECOMMENDED

**MAXIMUM ALLOWABLE SIZES**

- DOOR OPENING WIDTH TO 9'-0" (2743.2)
- DOOR OPENING HEIGHT TO 8'-0" (2438.4)
- OVERALL FRAME HEIGHT TO 8'-1 3/4" (2482.9) W/O TRANSOM
- OVERALL FRAME HEIGHT TO 12'-0" (3657.6) WITH TRANSOM

**AUTO SHOWROOM PACKAGE**

**DOORS** ..... 190 NARROW STILE, 350 MEDIUM STILE AND 500 WIDE STILE DOORS.

**FRAME**..... TRIFAB® VG 450 CENTER.

**CLOSER**..... NORTON 1601 ADJUSTABLE OR 1601 BF ADJUSTABLE SURFACE CLOSER (ACTIVE LEAF ONLY).

**BUTT HINGES** ..... ONE PAIR 4-1/2" x 4" (114.3 x 101.6) BALL BEARING BUTTS ON ACTIVE LEAF, ONE AND ONE HALF PAIR ON INACTIVE LEAVES AT HINGE JAMB. CONTINUOUS HINGE ON INACTIVE LEAVES.

**LOCKS**..... ADAMS-RITE MS1850A WITH (2) CYLINDERS ON ACTIVE LEAF.

**FLUSHBOLTS**..... ONE PAIR EDGE MOUNTED FOR INACTIVE LEAVES (FACE MOUNTED ON #2 INACTIVE LEAF OF BIFOLD TYPE).

**THRESHOLD** ..... 1/2" x 4" (12.7 x 101.6) ALUMINUM.

**RISER BLOCK**..... EXTRUDED ALUMINUM BLOCK APPLIED TO BOTTOM RAIL OF EACH INACTIVE LEAF.

**OPTIONAL CASTER** ..... IN LIEU OF RISER BLOCK, FACE APPLIED CASTER TO LEADING STILE OF INACTIVE LEAF.

Laws and building and safety codes governing the design and use of glazed entrance, window, and curtain wall products vary widely. Kawneer does not control the selection of product configurations, operating hardware, or glazing materials, and assumes no responsibility therefor.

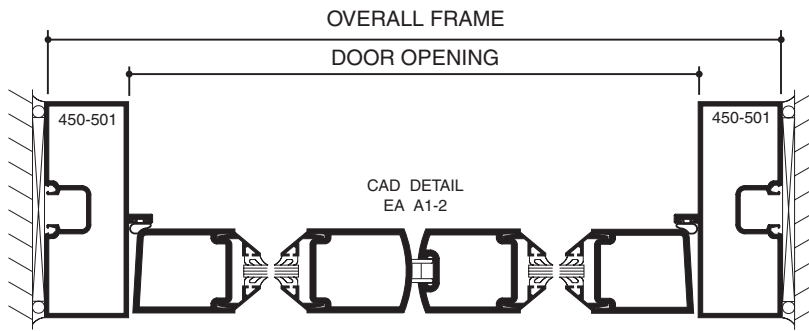
Kawneer reserves the right to change configuration without prior notice when deemed necessary for product improvement.  
© Kawneer Company, Inc., 2008

SCALE 3" = 1' 0"

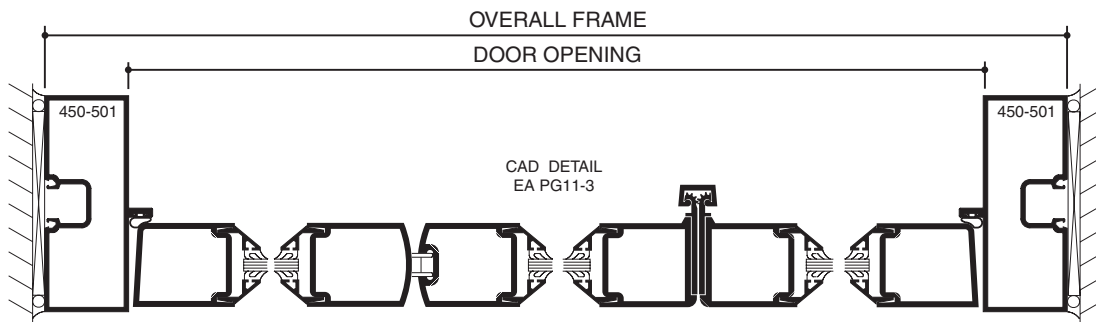
Laws and building and safety codes governing the design and use of glazed entrance, window, and curtain wall products vary widely. Kawneer does not control the selection of product configurations, operating hardware, or glazing materials, and assumes no responsibility therefor.

Kawneer reserves the right to change configuration without prior notice when deemed necessary for product improvement.

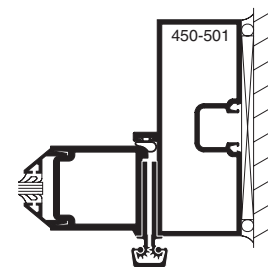
© Kawneer Company, Inc., 2008



SWING TYPE



BIFOLD TYPE

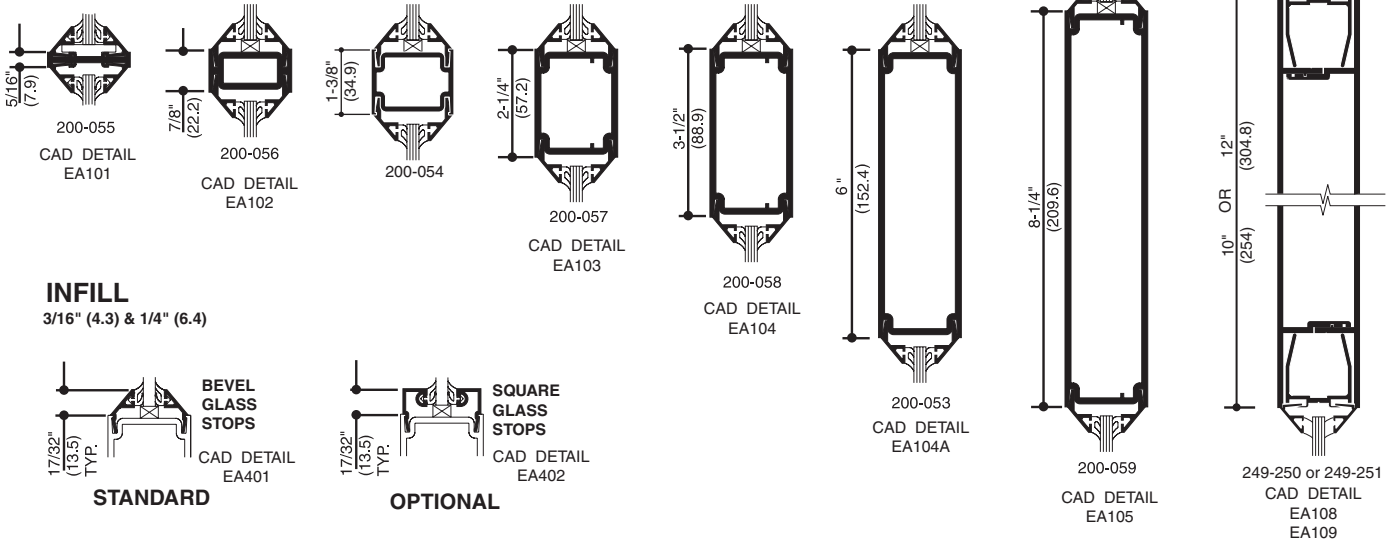


OPTIONAL CONTINUOUS HINGE JAMB

SCALE 3" = 1' 0"

Available in Canada only

HORIZONTAL / VERTICAL INTERMEDIATE RAILS

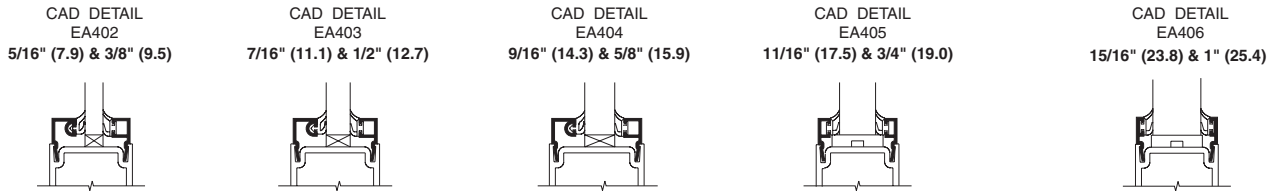


INFILL

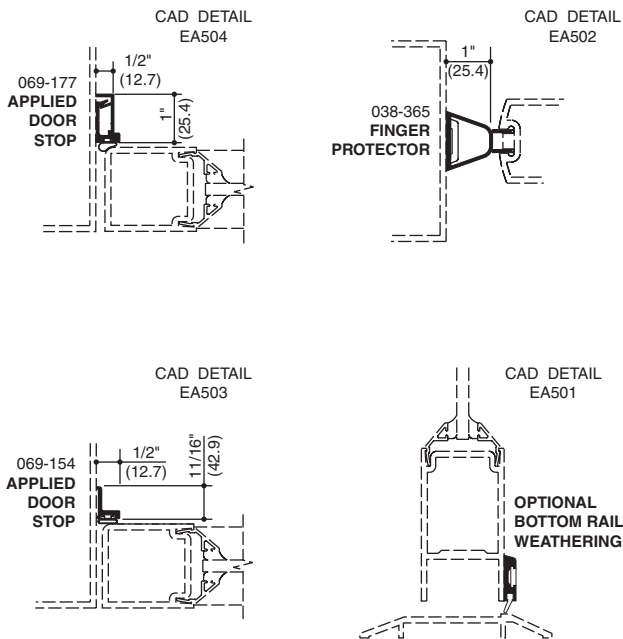
3/16" (4.3) & 1/4" (6.4)



INFILL OPTIONS



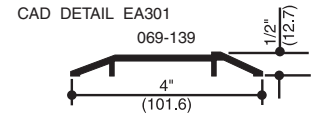
ACCESSORY ITEMS



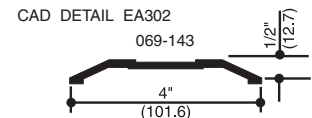
THRESHOLDS

APPLICATION

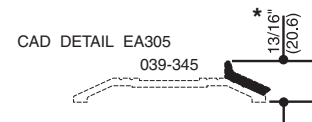
FOR SINGLE ACTING DOOR



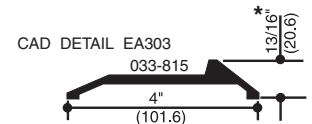
FOR CENTER HUNG CONCEALED CLOSER



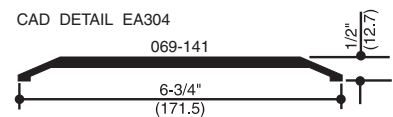
APPLIED STOP FOR SINGLE ACTING DOOR



FOR PANIC GUARD® EXIT DEVICE



FOR CENTER HUNG FLOOR CLOSERS

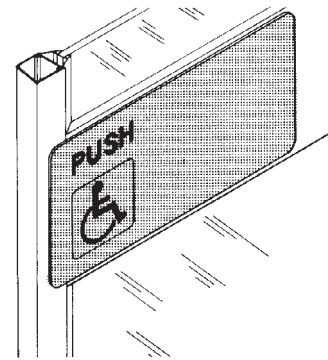
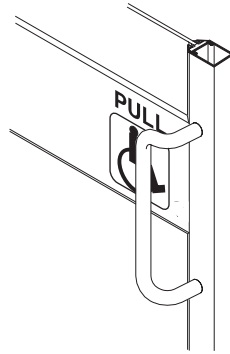


\*SOME BUILDING CODES LIMIT THRESHOLD HEIGHT TO 1/2" (12.7) MAX.

Laws and building and safety codes governing the design and use of glazed entrance, window, and curtain wall products vary widely. Kawneer does not control the selection of product configurations, operating hardware, or glazing materials, and assumes no responsibility therefor.

Kawneer reserves the right to change configuration without prior notice when deemed necessary for product improvement.  
© Kawneer Company, Inc., 2008

**PUSH-PULLS  
STYLE**



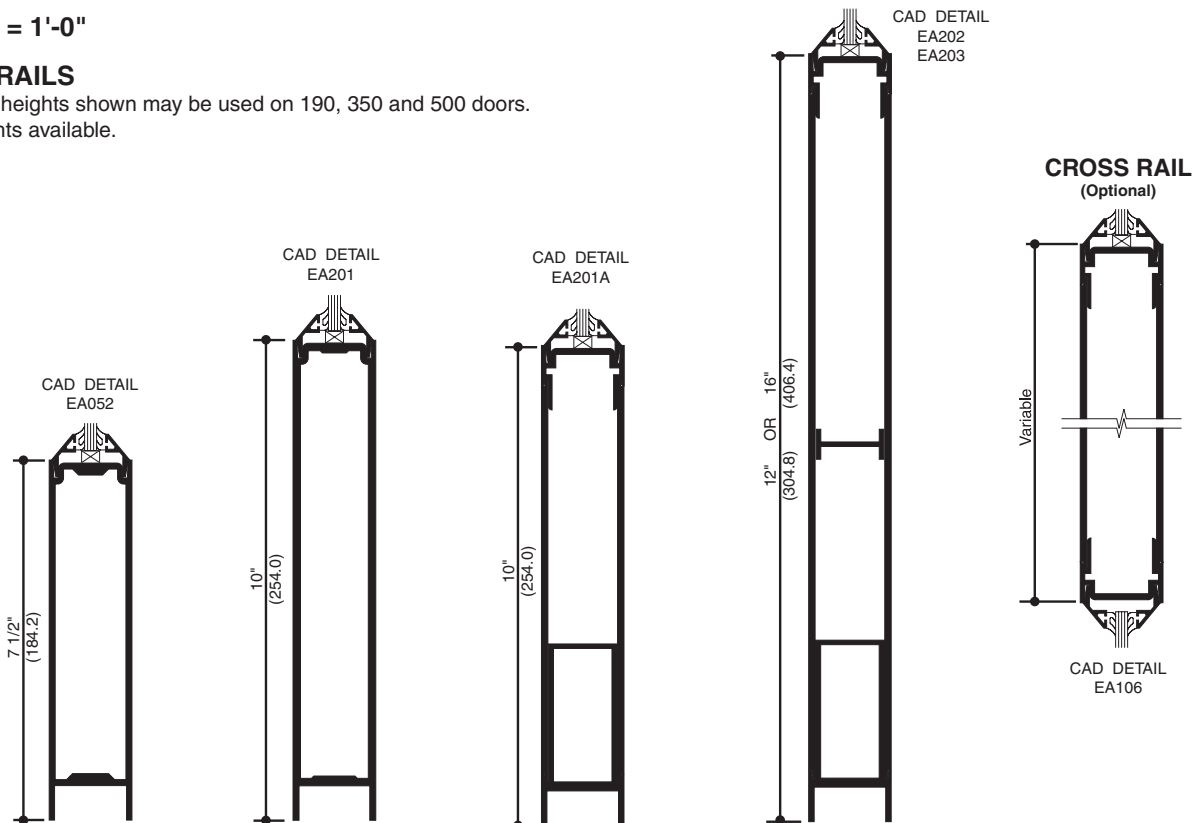
Description	Architects Classic CO-12 Pull	BF3 Push Shield with symbol
Application	Door with or without exit device	Door cross rail (omit w/exit device)
Length/Size	12" OC Pull attachment	15-7/8" x 7-7/8" (403.2 x 200.0) 1/8" (3.2) Thick
Height Location	44-5/16" from Top Mounting Hole to Btm. of Door	
Total Projection	3-1/4" (82.6) Projection	1/8" (3.2)
Material / Finish	See Hardware Section A8	Black Plastic Pebble Finish

**Note:** The word "Pull" and the symbol of access anodized on the exterior surface of the optional cross rail are standard - black on clear rail, clear on dark bronze or black rail. Anodized letters on push bar accent are clear on black. Letters and symbols on plastic push shield are engraved and filled with white epoxy enamel.

**SCALE 3" = 1'-0"**

**BOTTOM RAILS**

Standard rail heights shown may be used on 190, 350 and 500 doors.  
Custom heights available.



Laws and building and safety codes governing the design and use of glazed entrance, window, and curtain wall products vary widely. Kawneer does not control the selection of product configurations, operating hardware, or glazing materials, and assumes no responsibility therefor.

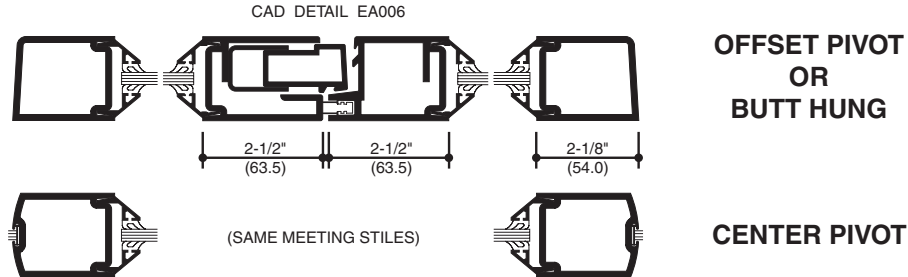
Kawneer reserves the right to change configuration without prior notice when deemed necessary for product improvement.  
© Kawneer Company, Inc., 2008

SCALE 3" = 1' 0"

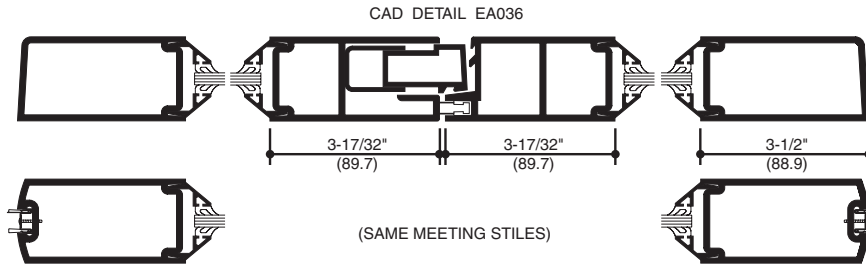


Panic Guard® entrances close the "Security Gap" without compromising safety. Kawneer's patented Panic Guard entrance design resists probing between meeting stiles by placing a full-length, movable astragal bar that locks into place to provide security. When the panic bar is depressed (from the inside only), the astragal bar retracts into the meeting stile to provide a quick, safe exit. When the doors close the astragal bar moves back into place, interlocking the two panic leaves. Panic Guard utilizes the DOM/Falcon 1990 crossbar panic device. See Hardware Section for complete description of Panic Guard.

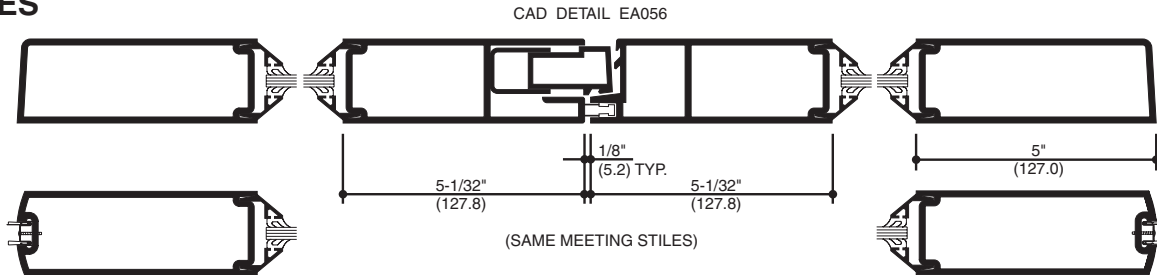
190 STILES



350 STILES



500 STILES

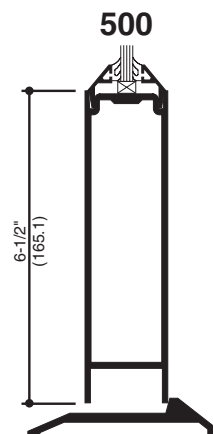
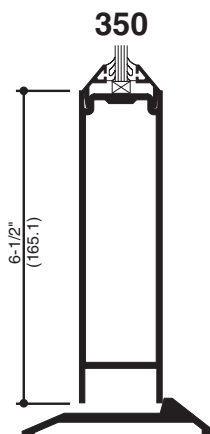
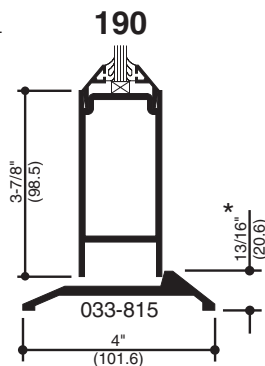


BOTTOM RAILS

NOTE: Threshold shown is for Panic Guard entrance only.

NOTE: See Page 16 for available Intermediate Horizontal Members.

THRESHOLD CAD DETAIL EA303



\*NOTE: SOME BUILDING CODES LIMIT THRESHOLD HEIGHT TO 1/2" (12.7) MAX.

Laws and building and safety codes governing the design and use of glazed entrance, window, and curtain wall products vary widely. Kawneer does not control the selection of product configurations, operating hardware, or glazing materials, and assumes no responsibility therefor.

Kawneer reserves the right to change configuration without prior notice when deemed necessary for product improvement.  
© Kawneer Company, Inc., 2008

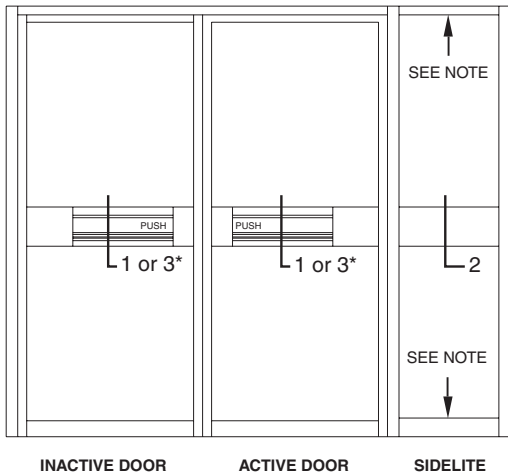
The Paneline concealed rod exit device for Panic Guard Entrances will accommodate variations in stile width and door width as shown in the following illustrations. Sidelites adjacent to Paneline equipped doors not requiring exit devices may be fitted with fixed panels as detailed below to match the general appearance of the Paneline cross rail. **NOTE: PANELINE® EL IS NOT AVAILABLE ON PANIC GUARD.**

See **Hardware Section** for complete description of Paneline hardware, including finish of units.

**Paneline uses mortise cylinder in lieu of the normal rim-type. Dummy Paneline units should not use any type of lock.**

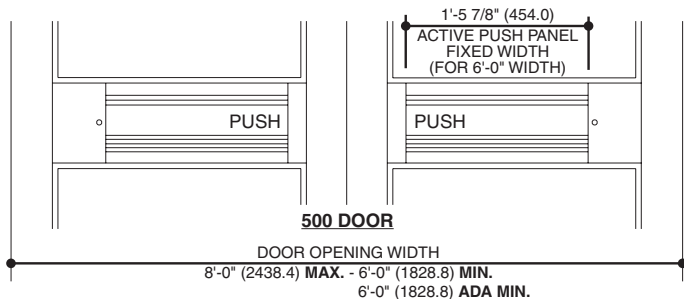
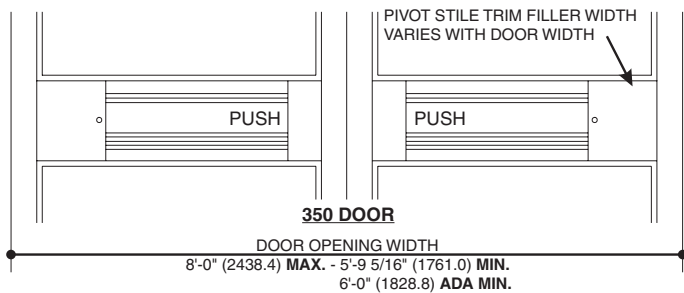
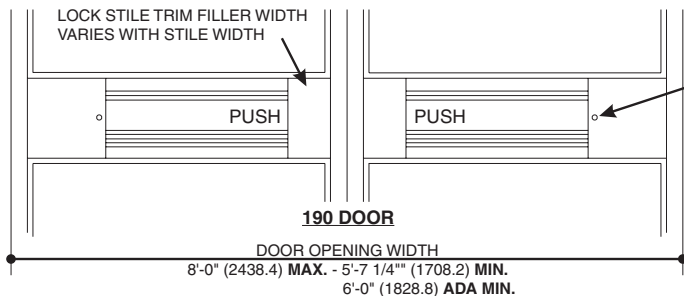
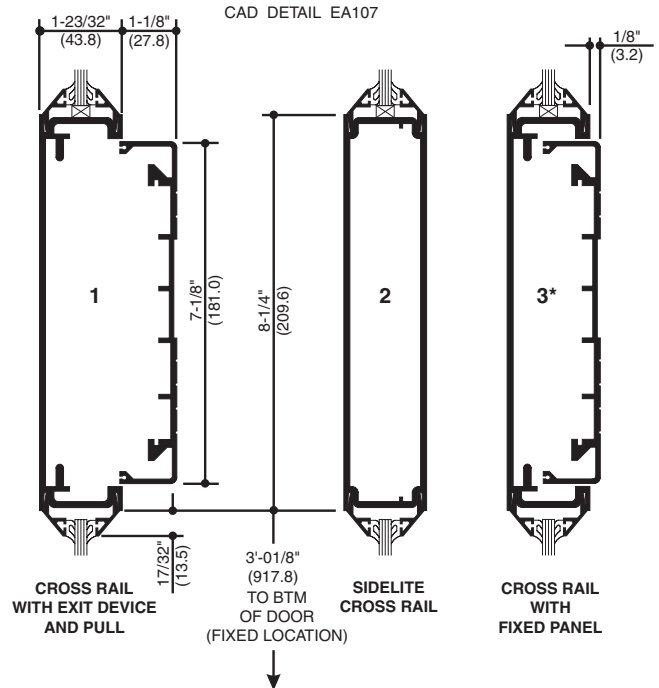
**INTERIOR ELEVATION**

**NOTE:** Sidelites must be stop glazed above and below rail.

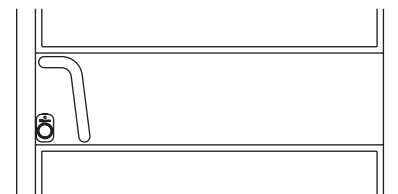


INACTIVE DOOR      ACTIVE DOOR      SIDELITE

**\* ALTERNATE CROSSRAIL FOR VESTIBULE DOORS (Without Exit Device or Lock)**



**STYLE "CPN" PULL ON EXTERIOR OF DOOR**



**EXTERIOR VIEW OF 190 DOOR (350-500 SIMILAR) WITH "CPN" PULL AND STANDARD CYLINDER GUARD SHOWN**

Laws and building and safety codes governing the design and use of glazed entrance, window, and curtain wall products vary widely. Kawneer does not control the selection of product configurations, operating hardware, or glazing materials, and assumes no responsibility therefor.

Kawneer reserves the right to change configuration without prior notice when deemed necessary for product improvement.  
© Kawneer Company, Inc., 2008

